

N73-A220-RH Series

INFILUX

N73-A220-RH series megapixel IR network dome camera can provide users with a set of full digital live image acquisition system featuring high definition, high frame rate, and high signal-noise ratio.

This product is built in with a large power LED infrared light. The length of the IR light wave is 850nm and the night vision is up to 150m, featuring strong lighting intensity. It adopts SMART IR technology and the output power of the IR light can be automatically adjusted according to the lighting intensity of a scene.

The N73-A220-RH series megapixel IR network dome also features regular dome



Features

- Built-in 20X network camera module, 1/2.8" CMOS sensor
- Embedded high-efficiency IR light with a wavelength of 850nm
- The night vision can reach 150m
- Smart IR
- H.264 high profile/M-JPEG dual-encoding, three-code stream
- The maximum resolution is up to 1920×1080 @ 30fps
- Remote network PTZ control
- Area zoom, image PTZ control
- Supports dome title setting and display
- Various white balance modes
- Local PC recording
- Built-in TF card storage
- Supports preset, auto-pan, pattern, auto-scan, timing tour, tour, home position, etc.
- Compatible with digital video surveillance software of Infinova V2216, V2218, etc.
- Provides standard SDK, easy to integrate with other video surveillance software
- Onvif Profile S compliant
- Supports remote network upgrade
- IP66, embedded heater and air circulation system, featuring defog function

Ordering information

N73-A220-RH

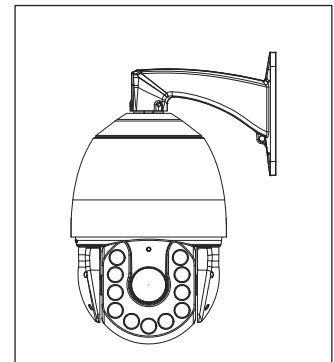
Megapixel IR network domes, 2.0Mpx., 20X, 1/2.8" CMOS, day/night, H.264/MJPEG, outdoor, bracket mount, 24VAC/24VDC

Note: The installation bracket shall be purchased separately.

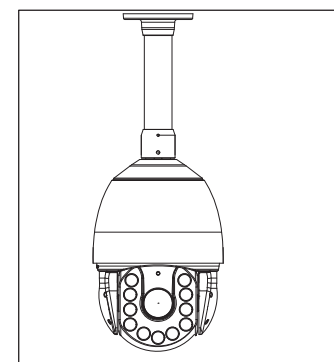
Bracket model:

V1761H Wall mount bracket
V1764H Pendant mount bracket

Mounting



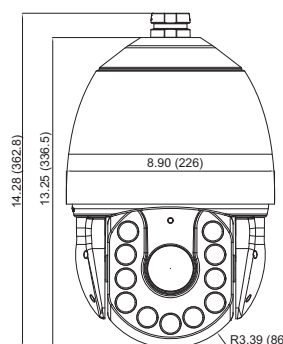
Wall Mount



Pendant Mount

Dimensions

(Unit: inch, in the parentheses is mm)



Technical specifications

| Camera | |
|----------------------------|---|
| Optical Zoom | 20X |
| Image Sensor | 1/2.8" CMOS |
| Aperture/Focal Length | F1.6~F3.5, f=4.7~94mm |
| Angle of View | 58.7° (Wide) ~ 3.2° (Tele) |
| Min. Work Distance | 0.5m (Wide) ~ 1.5m (Tele) |
| Shutter | Auto/Manual (1/25~1/8000s, 12 levels adjustable) |
| Sensitivity | Color mode: 0.05 lux @ F1.6 AGC ON; B/W mode: 0 lux (IR on) |
| PTZ | |
| Preset | 1~255 |
| Pattern | 4 |
| Autopan | 4 |
| Tour | 6 groups (each tour consists of up to 14 acts which can be preset 1~32, pattern 1~4, autopan 1~4) |
| Home Position | Available |
| Timing Tour | Available |
| Autoscan | Available |
| Area Zoom | Available |
| Web Server | Available |
| Remote Network Upgrade | Available |
| IR | |
| Wavelength | 850nm |
| Night Vision | 150m |
| Video | |
| Video Compression Standard | H.264 high profile/M-JPEG |
| Max. Resolution | 1920×1080 @H.264 /M-JPEG |
| Optional Resolution | H.264 major stream options: 1920×1080, 1280×1024, 1280×960, 1280×720, 1024×768, 800×600 H.264 minor stream options: 720×576, 720×480, 640×480, 352×288, 352×240 MJPEG stream options: 1920×1080, 1280×1024, 1280×720, 720×480 |
| Max. Frame Rate | 30fps@1920×1080 |
| Output Data Rate | Variable bit rate: Constant bit rate: 256Kbps ~ 8Mbps |
| Network Delay | <250ms |

| Video Parameter Adjustment | Supports configurations of white balance, exposure, day-night switch, gain control, mirror, 3D noise reduction, WDR, backlight compensation, etc. |
|----------------------------|---|
| Image Effect | Brightness, sharpness, saturation, contrast |
| Storage | |
| Inbuilt Storage | Inbuilt TF card slot, it is recommended to use a 32G storage TF card. The card shall be purchased separately and needs factory preassembly. |
| IP | |
| Network Interface | 1x10M/100M self-adaptive Ethernet port, RJ-45 |
| Network Protocol | IPv4, TCP, UDP, IGMP, DHCP, FTP, SNMP(V3), SMTP, NTP, RTP, RTSP, RTCP, HTTP, HTTPS, TLS, SSL, 802.1X, QoS, PPPoE, DNS, ARP, ICMP |
| Mechanical | |
| Manual Pan Speed | 0.1° ~ 160°/s |
| Manual Tilt Speed | 0.1° ~ 100°/s |
| Preset Speed | Up to 200°/s |
| Pan Angle | 360° continuous |
| Title Angle | -4° ~ 90° |
| Preset Accuracy | <0.1° |
| Motor | Stepping motor |
| Electrical | |
| Power Source | 24VAC/24VDC |
| Power | <54W(IR ON) <22W(IR OFF) |
| Reliability | |
| Anti-static | ±8KV (Ethernet port, power port) |
| Lighting Protection | ±4KV (Ethernet port, power port) |
| Environmental | |
| Operating Temperature | -40°F ~+140°F (-40°C ~+60°C) |
| Operating Humidity | 0 ~ 90%RH (non-condensing) |
| Installation | Wall mount, pendant mount |
| Physical | |
| Product Dimension (HxD) | 14.28" × 8.9" (362.8mm × Φ226mm) |
| Package Dimension (LxWxH) | 19.09" × 11.02" × 11.81" (485mm × 280mm × 300mm) |